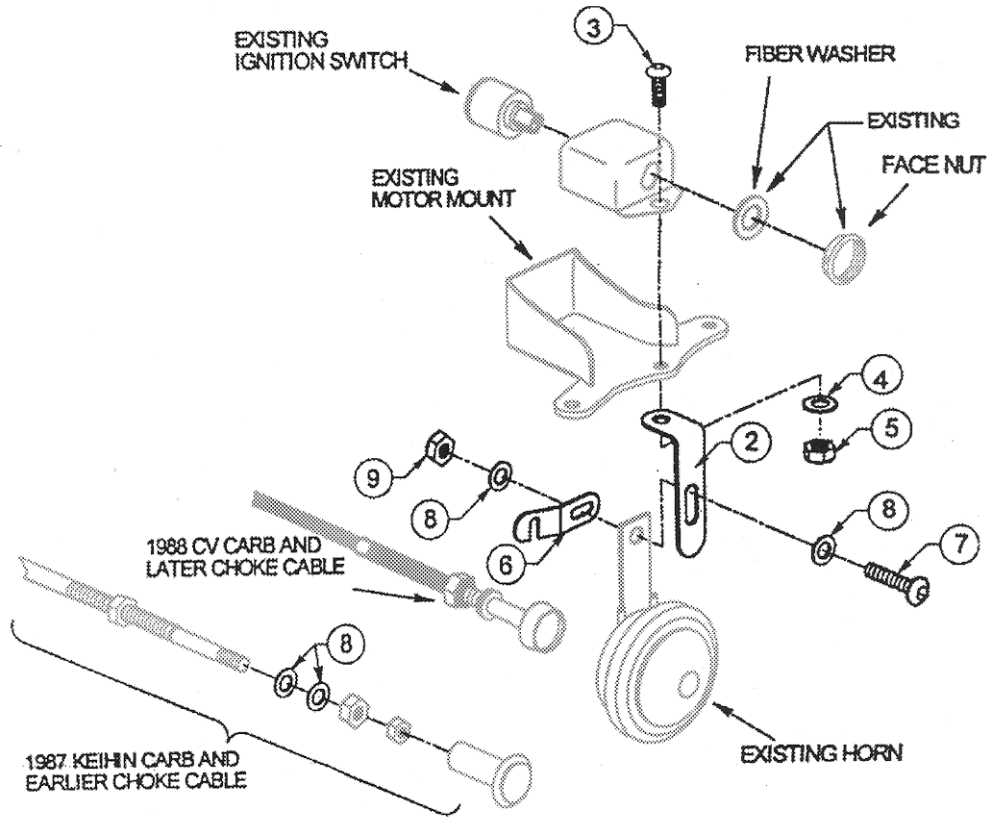




011308 / 011560

IGNITION SWITCH/HORN RELOCATION 1982 THRU 1994 XL



SWITCH, HORN, CHOKE RELOCATION INSTRUCTION SHEET APPLICABLE ON MOST 883 SPORTSTER MODELS AND MODELS WHERE RELOCATING THE IGNITION SWITCH, HORN OR CHOKE CABLE IS DESIRED. (REFER TO ILLUSTRATION).

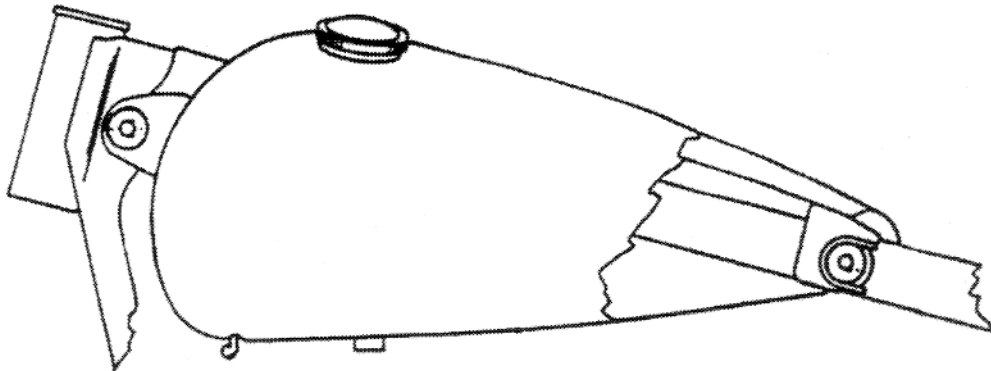
1. Disconnect the negative battery cable from the battery.
2. Disconnect the choke cable and **OEM** cable bracket and discard the cable bracket as it will not be used.
3. Remove ignition switch noting where the wires are connected, disconnect the wires from the switch.
4. Reroute ignition switch wires over the forward side of the top motor mount. Reconnect the wires to the OEM ignition switch as follows:
 - B** terminal (battery) connects to red wire.
 - IG** terminal (ignition) connects to white wire.
 - L** terminal (lights) connects to green wire.
5. Place ignition switch in switch cover (1) and secure with OEM fiber washer and face nut.
6. Secure switch cover (1) and horn relocation bracket (2) to top motor mount using 3/8" button head screw (3) 3/8" washer (4) and 3/8" jack nut (5).
7. Secure horn and choke cable bracket (6) to horn relocation bracket using 5/16" button head screw (7), the two S/16 washers (8) and 5/16" jack nut (9). Choke cable bracket (6) must mount on the left side of horn relocation bracket. (AS SHOWN)
8. Reattach choke cable to the new choke bracket.

NOTE: THE CHOKE CABLE MAY BE MOUNTED IN THE FORWARD OR REAR POSITION IF DESIRED.

9. Locate horn wires and reroute back to new horn position and reconnect.



**011308/011560/011586/011583/011589/011588/011746/011601/
011602/011605/011636/011612/011613/011473/011561/011745**

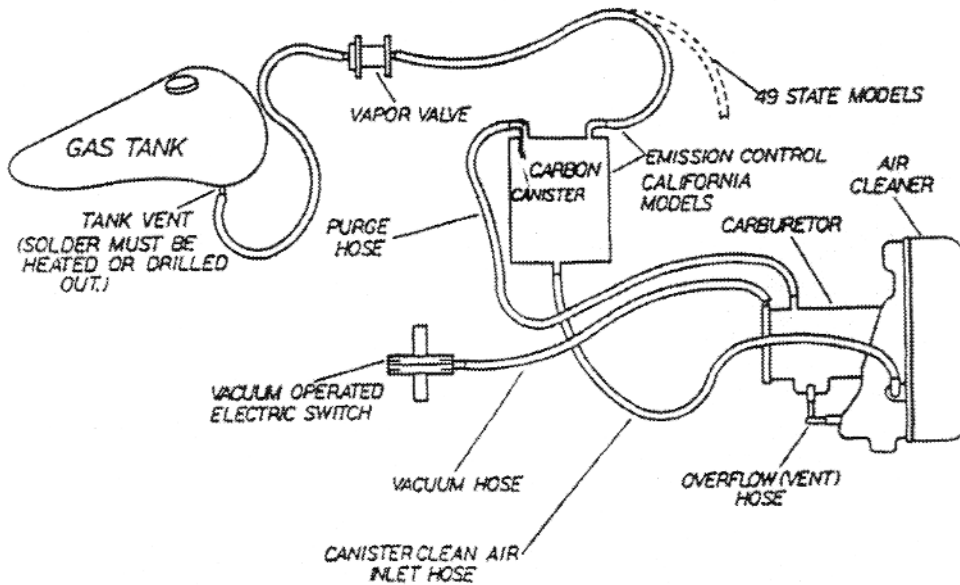


7. Attach petcock to fuel tank at this time. Some after market petcocks can not be installed after the tank is mounted. It is recommended that teflon tape or sealer be used on petcock threads.

Note: At this time, If you have an 883 XL or have a XL model that has the Ignition switch located under the motor mount and you wish to relocate the switch. above the motor mount. Refer to the switch, horn and choke relocation kit and Instructions supplied.

8. Carefully slide fuel tank onto rear mount until front tank mounting holes align with the threaded holes in the front mount assembly. Pass bolts (8) through washers (7) and into threaded hole in front bracket (1).

9. Install fuel line and front crossover line using suitable fuel line and clamps. Also, at this time, install the gas caps.



10. For 1991 and earlier motorcycles equipped with original equipment or aftermarket two way valve gas caps, (positive negative pressure release) install Fatbob gas tanks according to the factory manual. No attention to the vent line is necessary as the cap will release any accumulated positive pressure and allow air in as fuel is used. All Zodiac gas caps fit into this category.

Caution: The fuel petcock must always be turned "off" when the motorcycle is not in use. Failure to do so, could result In fuel being forced past the float bowl needle and into the engine or on the ground.

11. For 1992 and later motorcycles, equipped with late model original Equipment one way valve gas caps (negative. pressure release only) the vent hose to the vapor valve (and charcoal canister on pollution control models must be re-routed to the right, front tank. The vent line must be heated to remove the solder plug (see illustration), The vent hose can then be connected to the tank vent.

12. When using Zodiac gas caps on 1992 and later models, it is not necessary to use vent line.

Note: Fuel petcock must always be turned off when motorcycle is not in use.

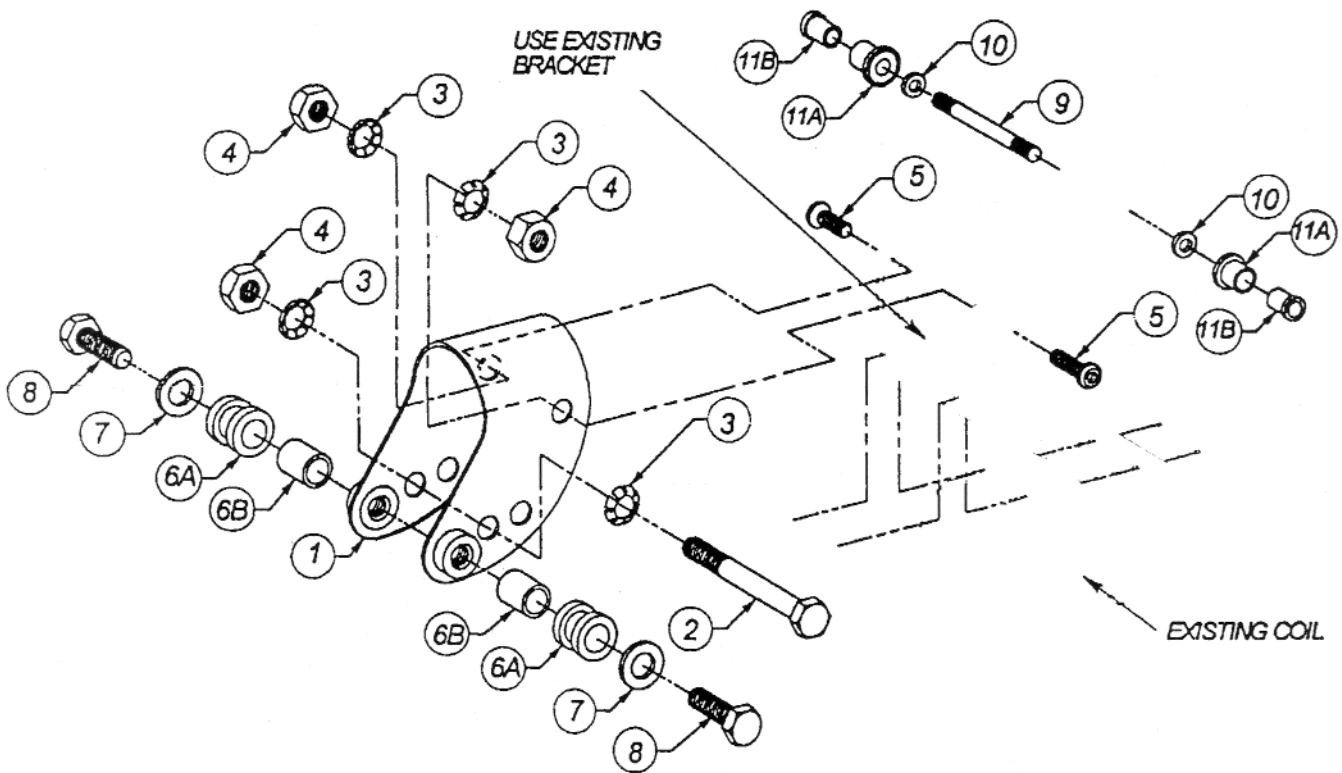
Warning: Check all mounts and fuel line fittings before fueling and test riding.



WARNING: CHECK ALL MOUNTS AND FUEL LINE BEFORE FUELING AND TEST RIDING

- NOTE:**
1. TEST FIT THE TANK ON THE MOTORCYCLE BEFORE PAINTING. CHECK THE TURN SIGNAL, HANDLEBAR CONTROL AND TRIPLE TREE CLEARANCE.
 2. ALWAYS PRESSURE CHECK TANK BEFORE PAINTING AND INSTALLATION.
 3. USE LOCTITE ON FIRST THREE THREADS OF ALL HARDWARE.
 4. **NOTE:** AS WITH ANY FUEL TANK, PARTICULARLY ONE WHERE CUSTOM PAINT IS TO BE APPLIED, THE TANKS MUST BE PRESSURE TESTED, THEN SEALED WITH TANK PREP ZPN 232022 BEFORE PAINTING.

'95 & LATER TANK INSTALLATION



1. Remove existing fuel tank. Retain the petcock. Remove the horn on 883 models.
2. Mount front bracket (1) onto frame using bolt (2), star washers (3) and nut (4). Pass bolt through the hole closest to the front in bracket (1) and then through OEM frame front tank mounting hole. Wiring loom must route under bracket on most models. Care must be taken as to not pinch wiring.
3. Attach coil to coil bracket (12) using bolts (13), and lock nuts (14). (SEE 95/94 AND LATER COIL BRACKET INSTRUCTIONS).
4. Attach the coil and coil bracket using the 2 button head screws (5), star washers (3) and nuts (4). Coil mount (12) attaches to holes on front bracket (1) that are to the rear of the bracket.

NOTE: ON 1995 MODELS USE THE SECOND HOLE FROM THE REAR, AND BRACKET SUPPLIED IN THIS KIT.

5. Place rubber grommets (6A) into mounting holes in front of fuel tank, then press steel inserts (6B) into the grommets (6A).
6. Pass mounting stud (9) through rear tank mounting hole in frame tube, then using a drop of 242 loctite on threads, place washers (10) and hand tighten rubber shoulder spacers (11A), (11B). Apply a thin coat of light grease to the rubber shoulder spacers (11A). This will make it easier to install the fuel tank.