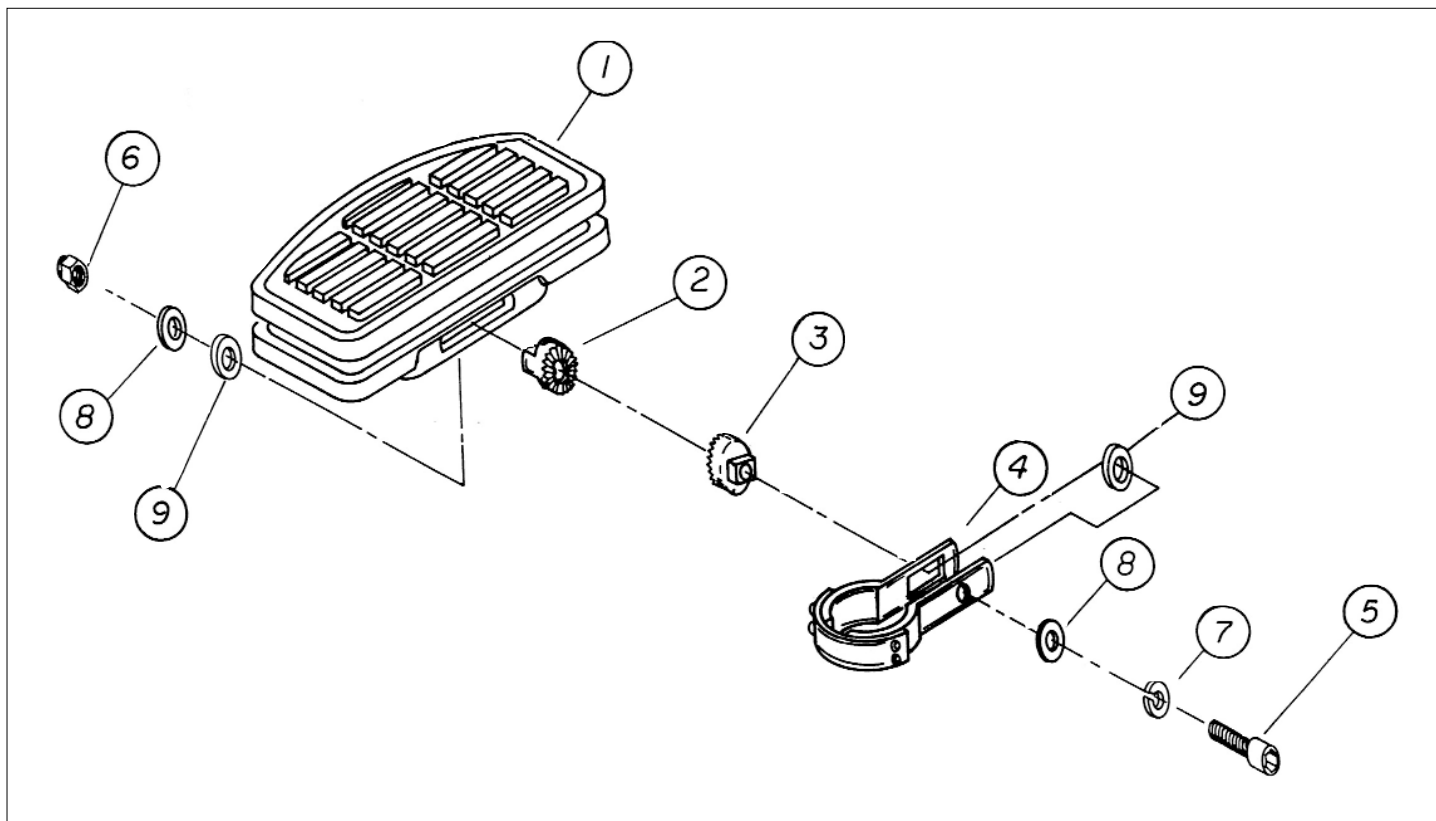




057044/057045

Highway Mini Floor Board Kit

(057044, 1" diameter bars - 057045, 1 1/4" diameter bars)



Highway Mini Floorboard Kits 057044, 1" diameter bars

Nr.	Qty.	Description
1	1	Mini Floorboard set
2	2	Slider star
3	2	Clamp star
4	2	1" slot clamp
5	2	7/16"-20 UNF x 2.25" long socket head screw
6	2	7/16" Nylock nut
7	2	7/16" lock washer
8	4	7/16" flat washer
9	4	Floorboard washer

Highway Mini Floorboard Kits 057045, 1 1/4" diameter bars

Nr.	Qty.	Description
1	1	Mini Floorboard set
2	2	Slider star
3	2	Clamp star
4	2	1" slot clamp
5	2	7/16"-20 UNF x 2.25" long socket head screw
6	2	7/16" Nylock nut
7	2	7/16" lock washer
8	4	7/16" flat washer
9	4	Floorboard washer

NOTE: Use blue Loctite on first three threads of all hardware.

1. Assemble clamps **4** to highway bars, positioning with square hole toward desired floorboard location.
2. Pass socket screw **5** thru lock washer **7**, flat washer **8** and clamp, placing one floorboard washer **9** between the ears of each clamp as shown.
3. Assemble clamp star **3** onto clamp and screw
4. Attach floorboard **1** using slider star **2**, thick floorboard washer **9**, flat washer **8** and Nylock nut **6** as shown.
5. Position boards as desired and tighten securely.
6. Re-check all hardware before test driving motorcycle.

IMPORTANT!: Zodiac recommends a minimum of 9" ground clearance on all floorboards.